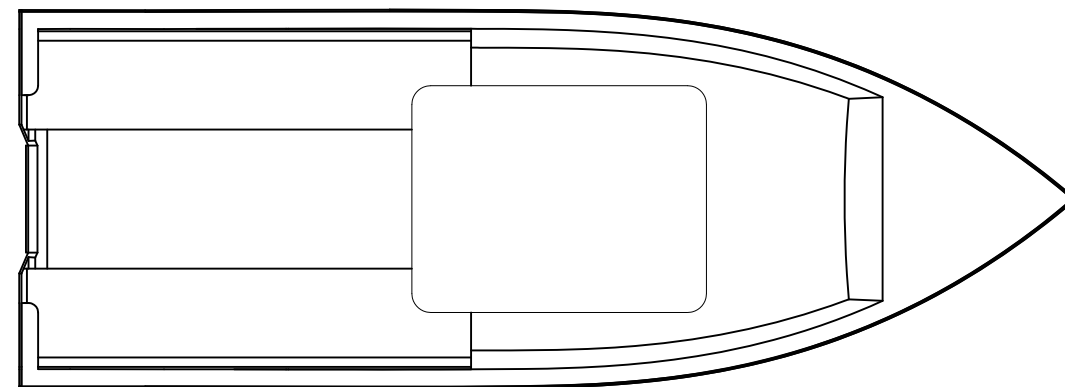
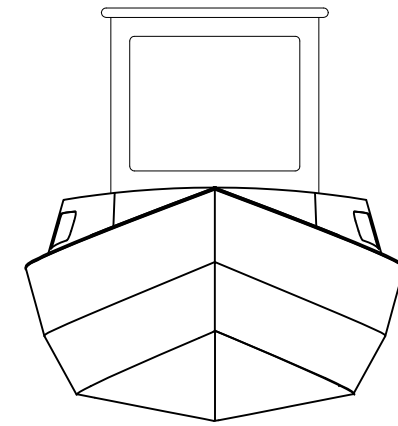
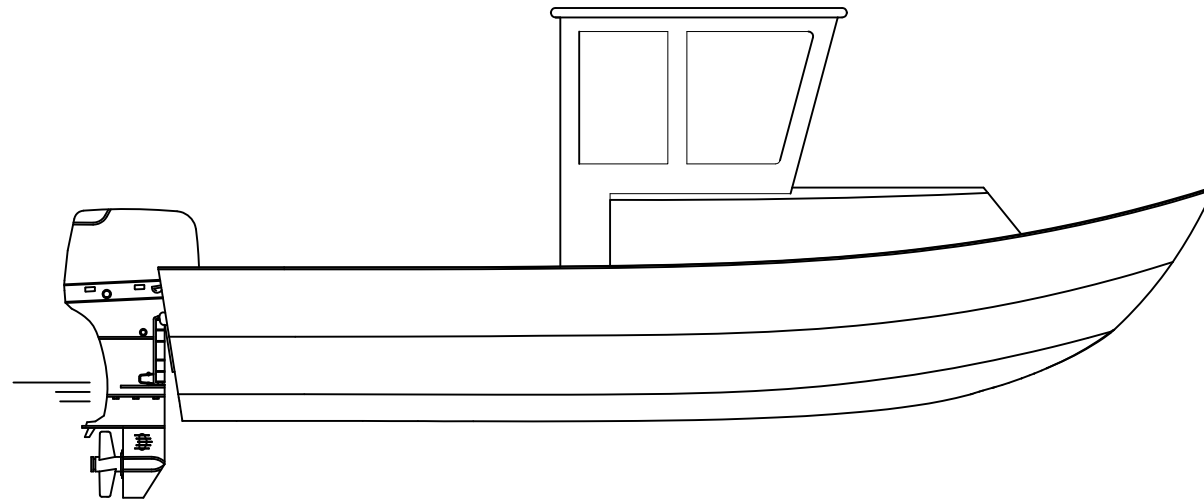
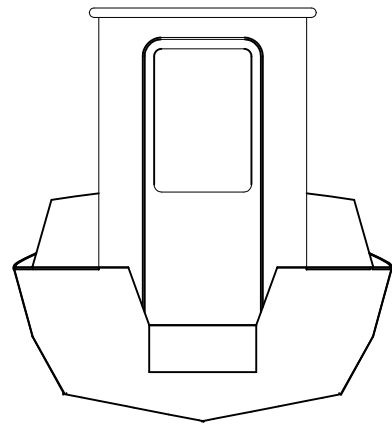


Main dimension L.O.A = 5,585 m / 18' 3" B.m.d. = 2,000 m / 6' 7" T = 0,212 m / 8" d = 1,240 m / 4' Δ = 850 kg / 1874 lbs.	Boatkits Yachtdesign	Date: 21/05-2009 Drwn. by: MO Sheet 1
	Title 18' Sea power	
Do not scale		General arrangement Standard



Main dimension L.O.A = 5,585 m / 18' 3" B.m.d. = 2,000 m / 6' 7" T = 0,212 m / 8" d = 1,240 m / 4' Δ = 850 kg / 1874 lbs.	Boatkits Yachtdesign	Date: 21/05-2009 Drwn. by: MO
	Sheet 1	
Title 18' Sea power		General arrangement Wheelhouse
<small>Do not scale</small>		